

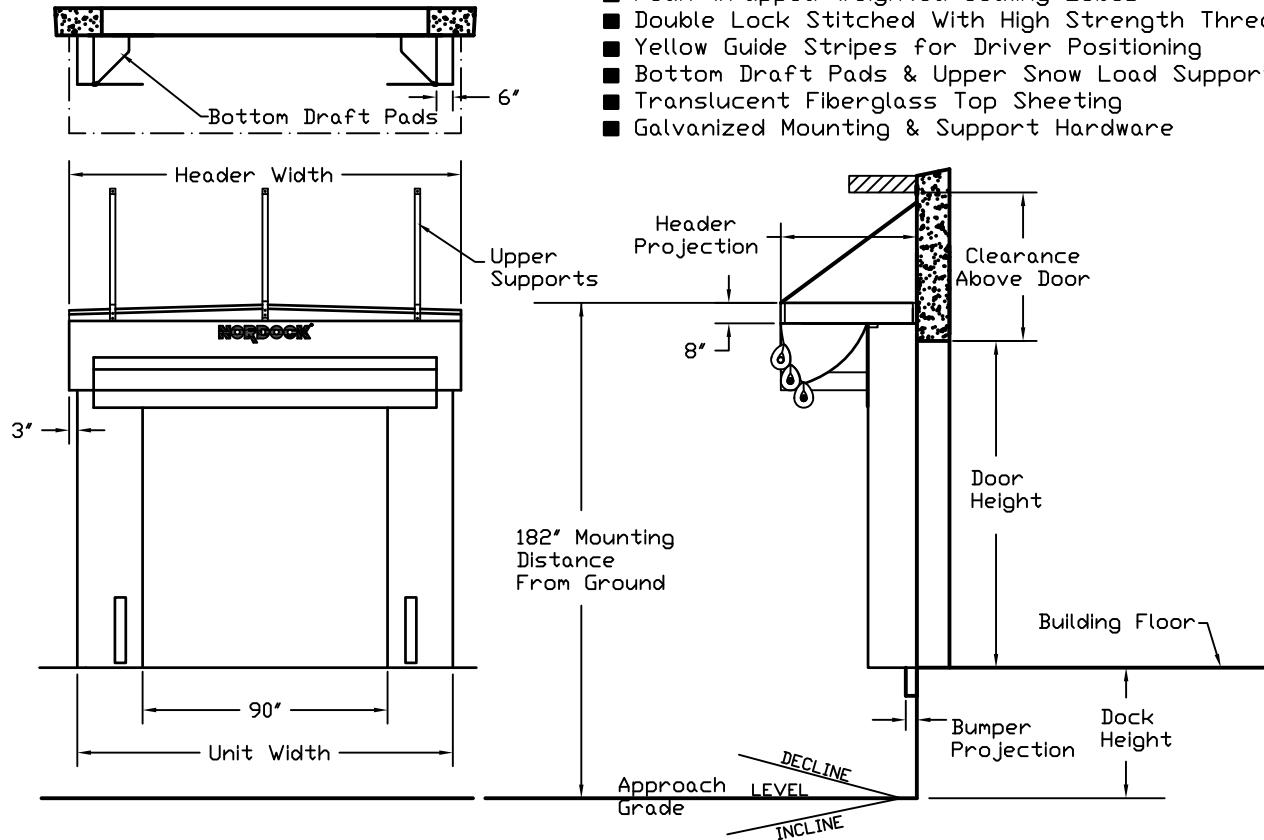
TERMINATOR™ SERIES

FOAM SHELTER & TRAILER TOP SEAL



FEATURE SUMMARY

- Superior WearTough™ Cover Fabric
- Kiln Dried Superior Grade Pressure Treated Lumber
- Foam Wrapped Weighted Sealing Lobes
- Double Lock Stitched With High Strength Thread
- Yellow Guide Stripes for Driver Positioning
- Bottom Draft Pads & Upper Snow Load Supports
- Translucent Fiberglass Top Sheeting
- Galvanized Mounting & Support Hardware



SITE DIMENSIONS

DOOR WIDTH: _____ "

DOOR HEIGHT: _____ "

DOCK HEIGHT: _____ "

BUMPER PROJECTION: _____ "

APPROACH GRADE: _____ % SLOPE

LEVEL DECLINE INCLINE

GRADE WALL EXTENSION: _____ "

BUILDING WALL SETBACK: _____ "

CLEARANCE ABOVE DOOR: _____ "

ORDER INFORMATION

BILL TO: _____

SHIP TO: _____

ORDER DATE: _____ QUANTITY _____

COST EACH: _____ TOTAL COST _____

FREIGHT COST: _____

PURCHASE ORDER NO. _____

NOTES: _____

MODEL FF-RS9 SHELTER SPECIFICATIONS

CURTAIN FABRIC: 40 OZ. *50 OZ.

UNIT WIDTH: 132' OTHER _____ "

UNIT HEIGHT: 134' OTHER _____ "

SIDE CURTAIN: 21' OTHER _____ "

TRAILER DOOR GAP SEAL

SIDE PROJECTION: TOP: _____ " BOTTOM: _____ "

HEAD CURTAIN: 30" DROP OTHER _____ "

TOUGH-SPLIT™ GUSSETS

RAINSTOP MODEL: RS9-2 TRUCKS 12'9" TO 13' 6" HIGH

RS9-3 TRUCKS 12' TO 13' 6" HIGH

HEADER PROJECT: 44' 50' OTHER _____ "

HEADER WIDTH: 138' OTHER _____ "

NOTES: HEADER PROJECTION IS 26' MORE THAN THE TOP OF THE SIDE FRAME FOR RS9-2 UNITS AND 32' MORE FOR RS9-3 UNITS. MOUNTING BRACKETS REQUIRE HEADER TO BE AN ADDITIONAL 6' MORE THAN UNIT WIDTH. THE MOUNTING HEIGHT MUST BE MAINTAINED AT 182" ABOVE GRADE. CONSULT FACTORY FOR ALTERNATIVE SUPPORT METHODS IF THERE IS INSUFFICIENT CLEARANCE ABOVE UNIT FOR THE SUPPORT BRACKETS.

TRAILER DOOR GAP SEALS ARE DESIGNED FOR STANDARD 102" WIDE TRAILERS AND REQUIRES THE VERTICAL SIDE CURTAINS TO BE 14" IN FRONT OF DOCK BUMPERS WITH A 90° CLEAR OPENING WIDTH BETWEEN CURTAINS.

* 50 OZ. IS STANDARD FOR RAIN-STOP™ TRAILER TOP SEAL