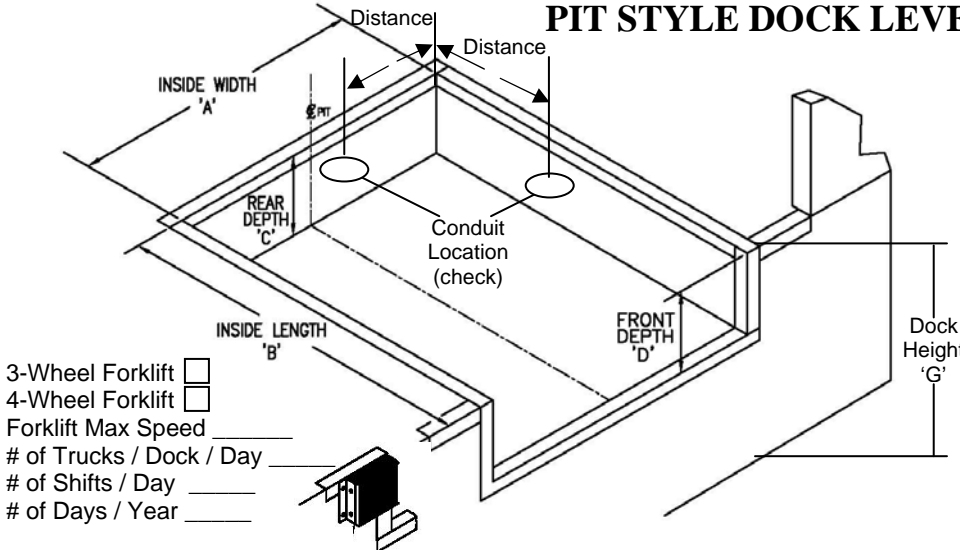


PIT STYLE DOCK LEVELER

Loading Dock Information

Pit Inside Width A _____
 Pit Inside Length B _____
 Pit Rear Depth C _____
 Pit Front Depth D _____
 Cantilever Projection E _____
 Cantilever Height F _____
 Dock Height G _____
 Bumper Projection _____
 Bumper Width _____
 Bumper Height _____
 Type: Laminated / Steel Face / Molded _____
 Phase Requirement
 Single 3 Phase Voltage _____

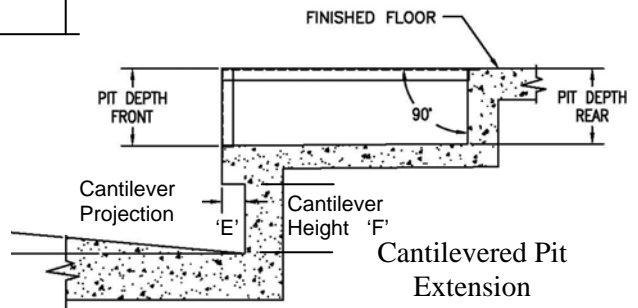


3-Wheel Forklift
 4-Wheel Forklift
 Forklift Max Speed _____
 # of Trucks / Dock / Day _____
 # of Shifts / Day _____
 # of Days / Year _____

Lift Type (circle):
 Manual Pallet Jack _____
 Powered Pallet Jack _____
 Electric Lift _____
 Gas Lift _____

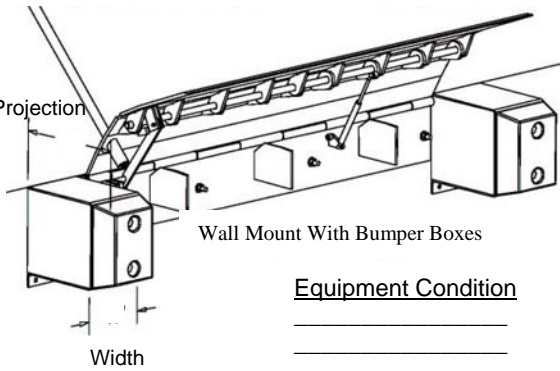
Gross Vehicle Weight (GVW)
 Forklift Weight _____
 Heaviest Load _____
 Attachment Weight _____
 Total Gross Weight _____

Equipment Condition



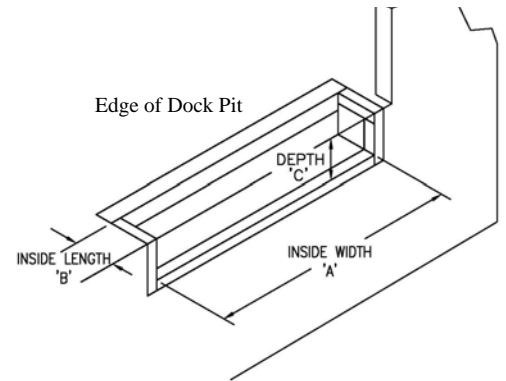
EDGE OF DOCK

Edge of Dock Pit Information



Pit Inside Width A _____
 Pit Inside Length B _____
 Pit Depth C _____
 Bumper Projection _____
 Bumper Width _____
 Bumper Height _____
 Bumper Type: Molded / Steel Face _____
 Activation: Manual/Powered _____
 Single 3 Phase Voltage _____

Equipment Condition

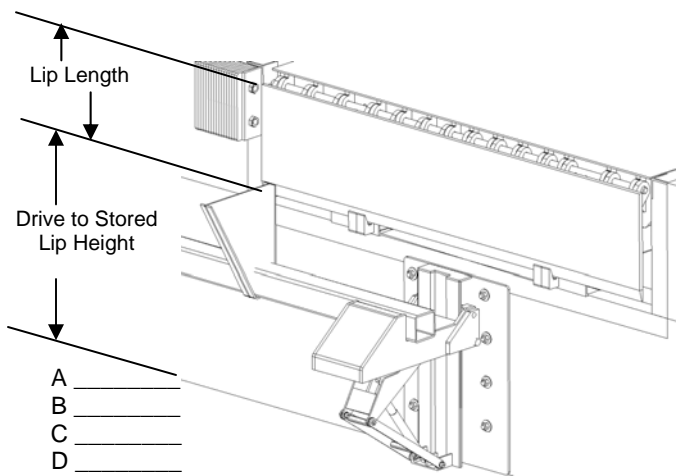
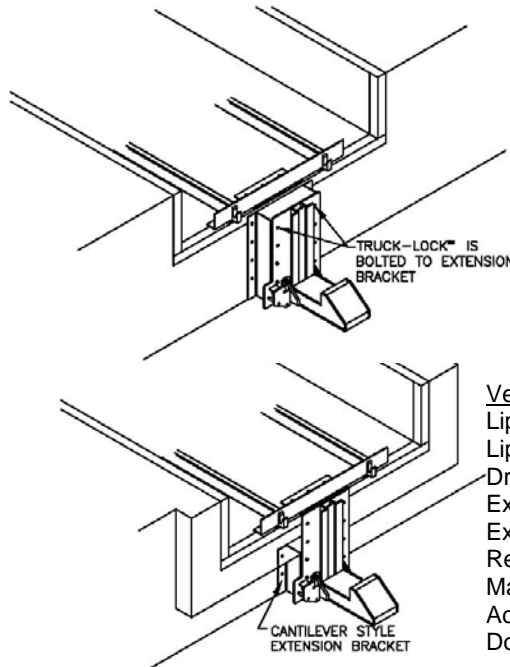


VEHICLE RESTRAINT

Vehicle Restraint Information

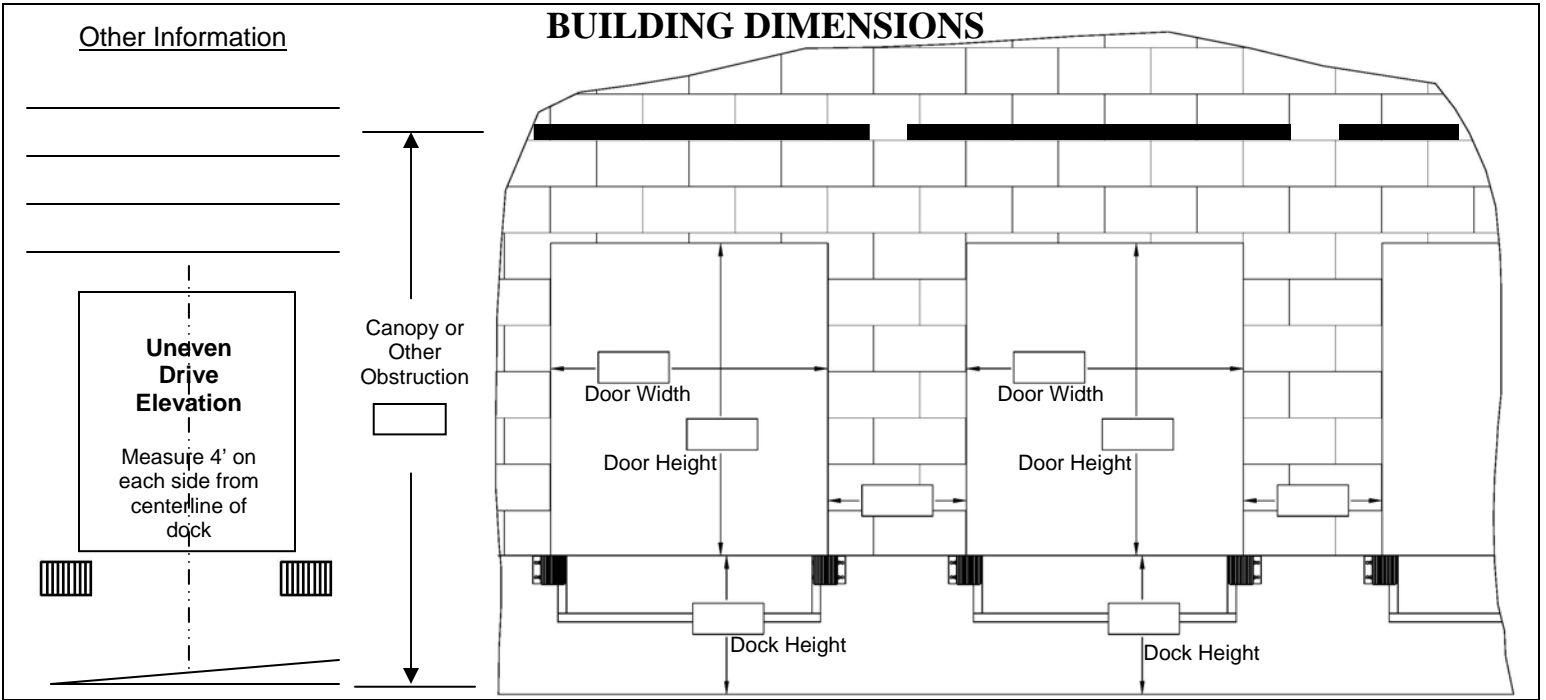
Lip Length _____
 Lip Keeper Projection _____
 Drive to Stored Lip Height _____
 Extension Bracket Projection _____
 Extension Bracket Height _____
 Restraint Back-Plate Height _____
 Manufacturer & Model _____
 Activation (circle): Powered / Manual _____
 Dock Stored Lip Limit Switch Present Y / N _____

Equipment Condition

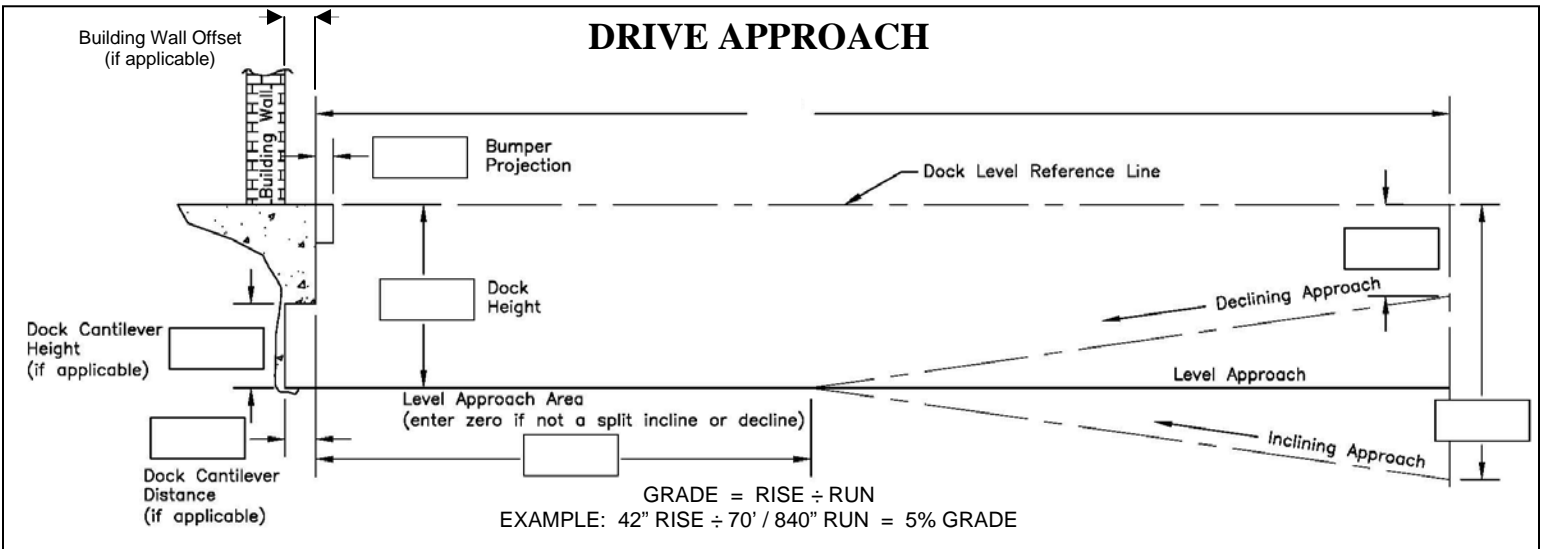


Other Information

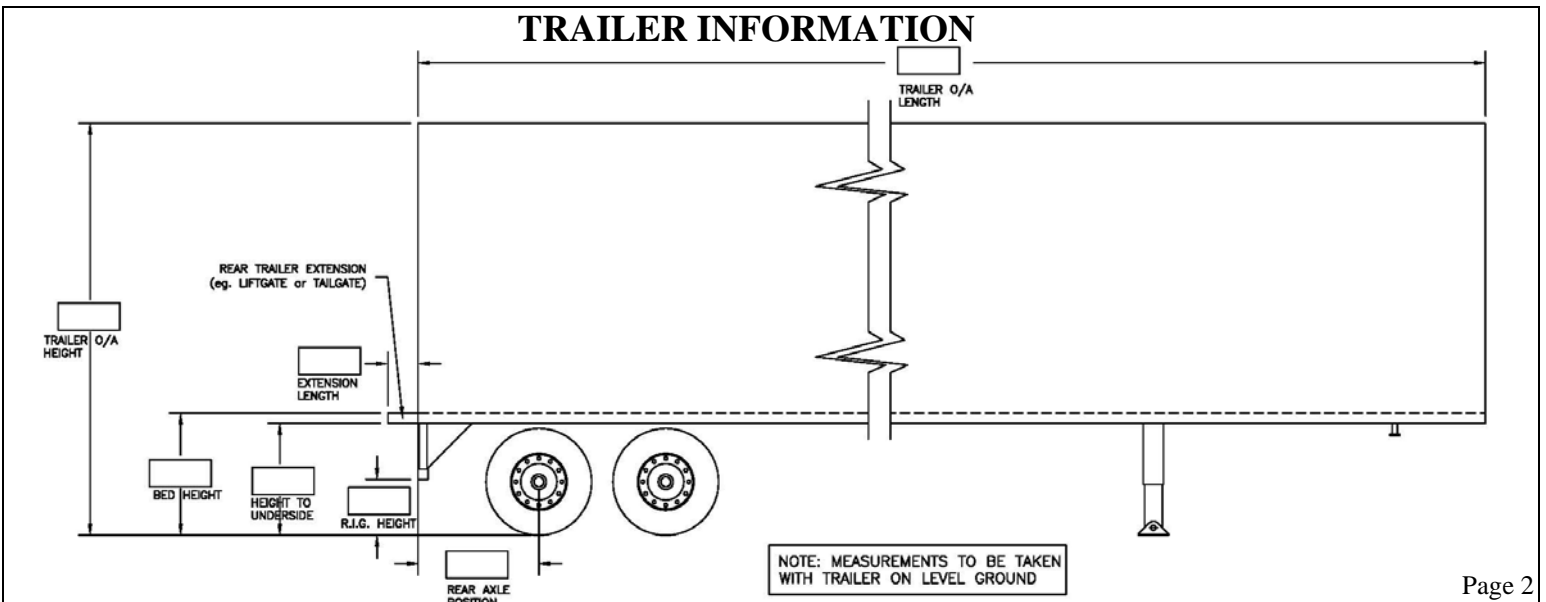
BUILDING DIMENSIONS



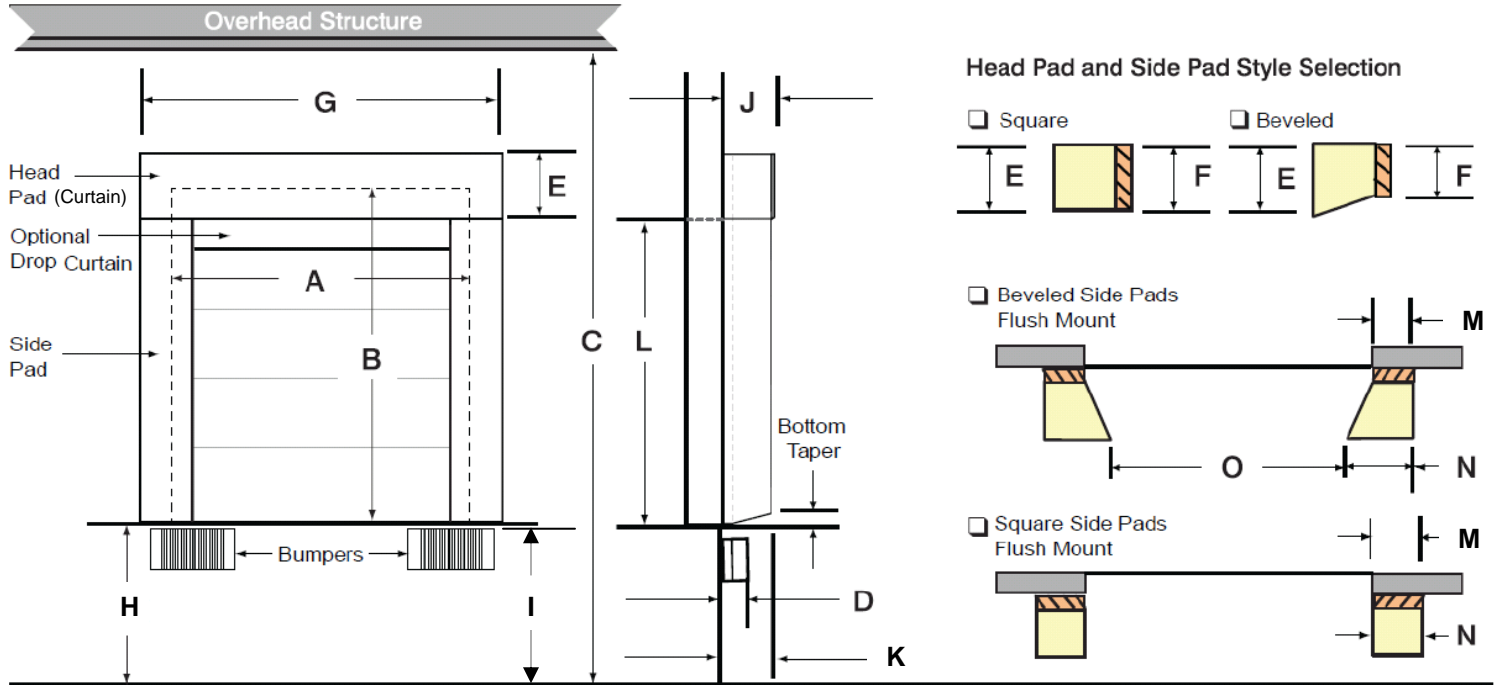
DRIVE APPROACH



TRAILER INFORMATION

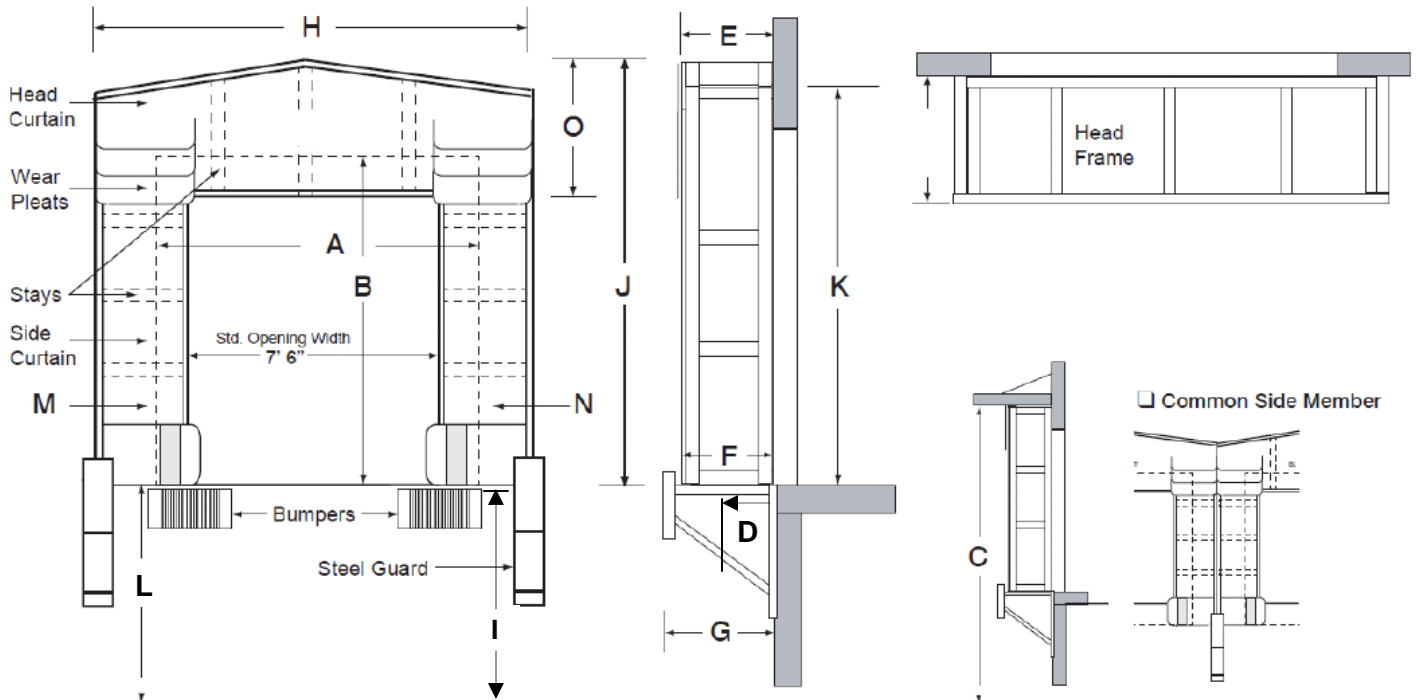


DOCK SEAL INFORMATION



Door Width	A _____	Head Pad Width	G _____	Side Pad Back	M _____	Wear Pleat Exposure 4" / 8" / 16" W/P Fabric: 50 oz / 40 oz / 22 Vinyl 40 oz Hypalon-Like Equipment Condition: _____
Door Height	B _____	Dock Height	H _____	Side Pad Front	N _____	
Height To Canopy	C _____	Bumper Height	I _____	Inside Seal Width	O _____	
Bumper Projection	D _____	Top Projection	J _____	Fabric: 50 oz / 40 oz / 22 oz Vinyl 40 oz Hypalon-Like		
Head Pad Height	E _____	Bottom Projection	K _____	Backing: Wood / Steel		
HD Pad Ht. Back	F _____	Side Pad Length	L _____			

DOCK SHELTER INFORMATION



Door Width	A _____	Bottom Projection	F _____	Side Member Ht.	K _____	Fabric: 50 oz / 40 oz / 22 Oz Vinyl 40 oz Hypalon-Like Equipment Condition: _____
Door Height	B _____	Steel Guard Proj.	G _____	Dock Height	L _____	
Height To Canopy	C _____	Shelter Width	H _____	Lt Curtain Width	M _____	
Bumper Projection	D _____	Bumper Height	I _____	Rt Curtain Width	N _____	
Top Projection	E _____	Shelter Height	J _____	Hd Curtain Height	O _____	
				Backing: Wood / Steel		