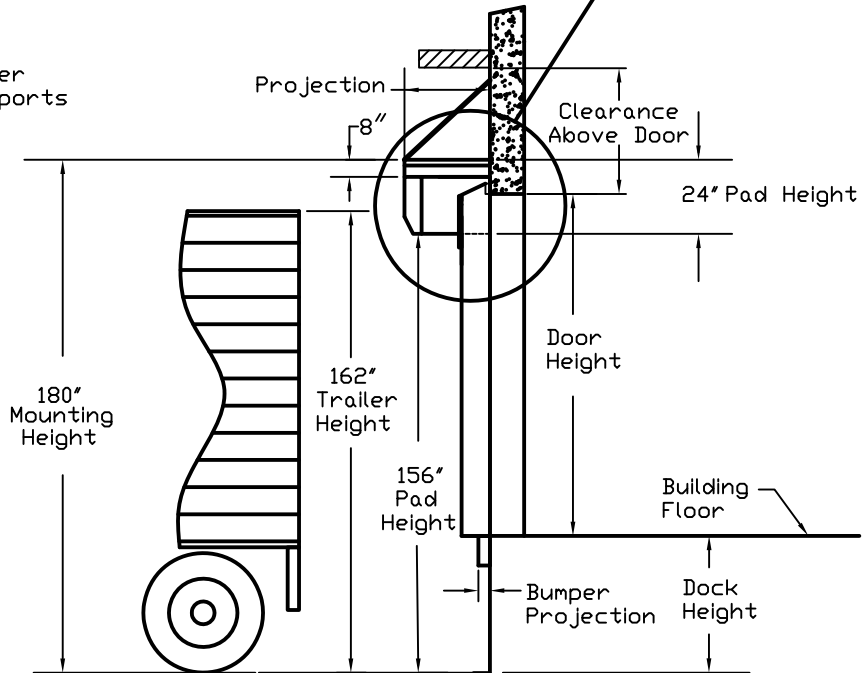
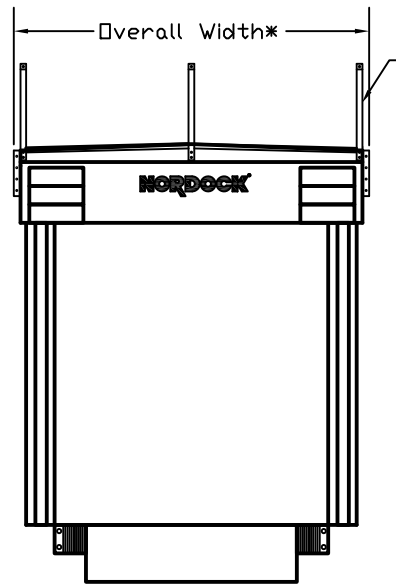
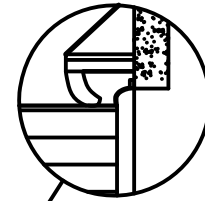


# RAINSHIELD™ SERIES MODEL RS-5000 TRAILER TOP SEAL



## FEATURE SUMMARY

- Double Layer of High Tear & Abrasion Resistant Fabric
- Pressure Treated Superior Grade Lumber
- Dual Density Polyurethane Foam With 99% Memory
- Double Lock Stitched With High Strength Thread
- Corner Impact Area Wear Pleats
- Translucent Fiberglass Top Sheeting
- Galvanized Steel Trim, Side Supports & Mounting Hardware
- Upper Supports for Extreme Weather Conditions



### SITE DIMENSIONS

DOOR WIDTH: \_\_\_\_\_ "

DOOR HEIGHT: \_\_\_\_\_ "

DOCK HEIGHT: \_\_\_\_\_ "

BUMPER PROJECTION: \_\_\_\_\_ "

APPROACH GRADE: \_\_\_\_\_ % SLOPE

LEVEL  DECLINE  INCLINE

GRADE WALL EXTENSION: \_\_\_\_\_ "

BUILDING WALL SETBACK: \_\_\_\_\_ "

DOOR SEAL DIMENSIONS: TOP PROJECTION \_\_\_\_\_ "

\*OVERALL HT. \_\_\_\_\_ " OVERALL WIDTH \_\_\_\_\_ "

OBSTRUCTION ABOVE DOOR OPENING \_\_\_\_\_ "

### ORDER INFORMATION

BILL TO: \_\_\_\_\_

ORDER DATE: \_\_\_\_\_ QUANTITY \_\_\_\_\_

COST EACH: \_\_\_\_\_ TOTAL COST \_\_\_\_\_

PURCHASE ORDER NO. \_\_\_\_\_

### RAINSHIELD SPECIFICATIONS/OPTIONS

FABRIC: 40 OZ. VINYL

50 OZ. WT-90

UNIT WIDTH\*: 132"  OTHER \_\_\_\_\_ "

UNIT PROJECTION: 30"  OTHER (UP TO 42") \_\_\_\_\_ "

HEAD PAD: 24" DROP  OTHER \_\_\_\_\_ "

OPTIONS: STEEL FRAME

OTHER: \_\_\_\_\_

\_\_\_\_\_

\_\_\_\_\_

\*NOTES: UNIT PROJECTION MUST BE 18" MORE THAN THE FOAM PAD SEAL PROJECTION. TO SERVICE OTHER THAN STANDARD HEIGHT HIGHWAY TRAILERS OR VARYING TRUCK HEIGHTS USE MODEL RS-9000. MOUNTING BRACKETS REQUIRE AN ADDITIONAL 6" IN UNIT WIDTH AND ARE 164" ABOVE GRADE. COMBINATION HEADER FRAMES ARE AVAILABLE IN WITH MODEL DS OR FF SHELTERS. IF THE DISTANCE FROM GRADE TO TOP OF SEAL EXCEEDS 14'-4" (172") THE PAD HEIGHT AND MOUNTING HEIGHT MUST INCREASE PROPORTIONALLY.