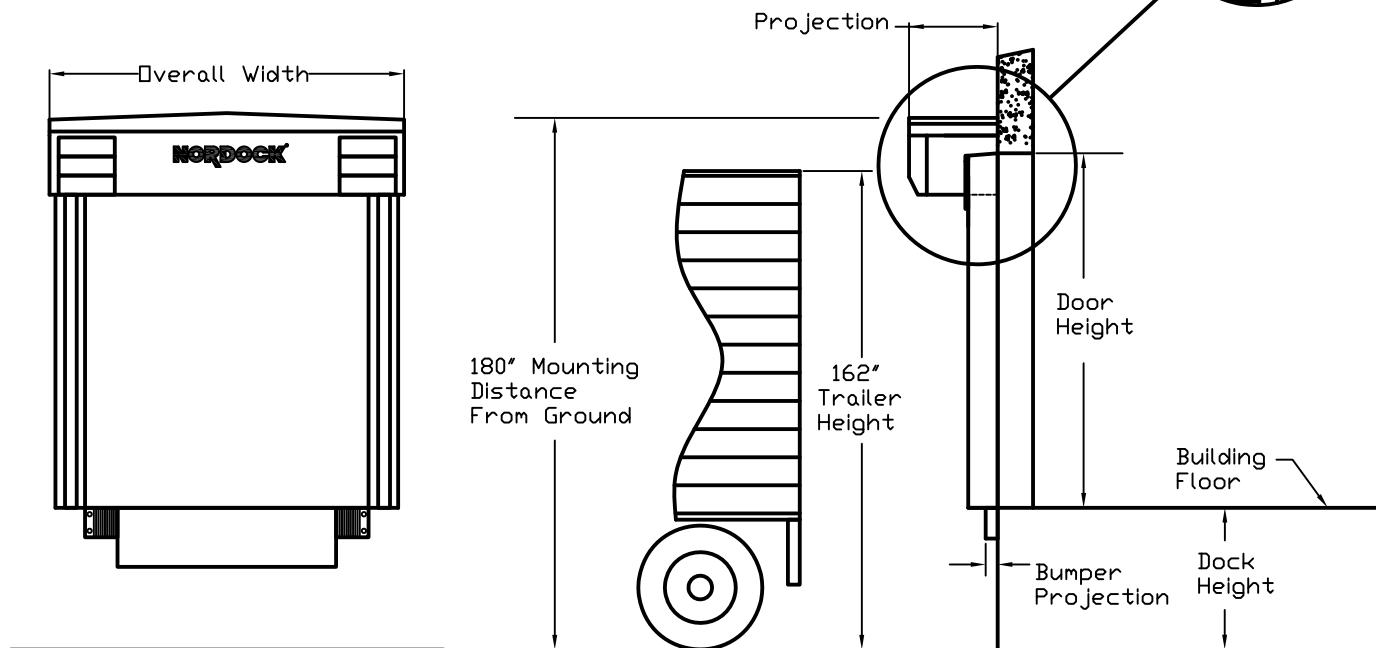
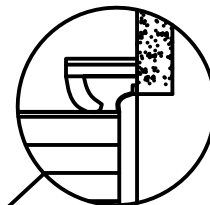


RAINSHIELD™ SERIES MODEL RS-5000 TRAILER TOP SEAL



FEATURE SUMMARY

- Double Layer of High Tear & Abrasion Resistant Fabric
- Pressure Treated Superior Grade Lumber
- Dual Density Polyurethane Foam With 99% Memory
- Double Lock Stitched With High Strength Thread
- Corner Impact Area Wear Pleats
- Translucent Fiberglass Top Sheeting
- Galvanized Steel Trim, Side Supports & Mounting Hardware



SITE DIMENSIONS

DOOR WIDTH: _____ "

DOOR HEIGHT: _____ "

DOCK HEIGHT: _____ "

BUMPER PROJECTION: _____ "

APPROACH GRADE: _____ % SLOPE

LEVEL DECLINE INCLINE

GRADE WALL EXTENSION: _____ "

BUILDING WALL SETBACK: _____ "

DOOR SEAL DIMENSIONS: PROJECTION _____ "

OVERALL HT _____ " OVERALL WIDTH _____ "

ORDER INFORMATION

BILL TO: _____

ORDER DATE: _____ QUANTITY _____

COST EACH: _____ TOTAL COST _____

PURCHASE ORDER NO. _____

RAINSHIELD SPECIFICATIONS/OPTIONS

FABRIC: 40 OZ. VINYL

50 OZ. WT-90

UNIT WIDTH: 120" OTHER _____ "

UNIT PROJECTION: 30" OTHER (UP TO 42") _____ "

HEAD PAD: 24" DROP OTHER _____ "

OPTIONS: STEEL FRAME

OTHER: _____

NOTES: UNIT PROJECTION MUST BE 18" MORE THAN THE FOAM PAD SEAL PROJECTION. UNIT HEIGHT CAN BE INCREASED UP TO 27" TO SERVICE 13' HIGH TRUCKS. COMBINED RIGID FRAME HEADERS ARE ALSO AVAILABLE IN COMBINATION WITH A MODEL DS OR MODEL FF SHELTER.