

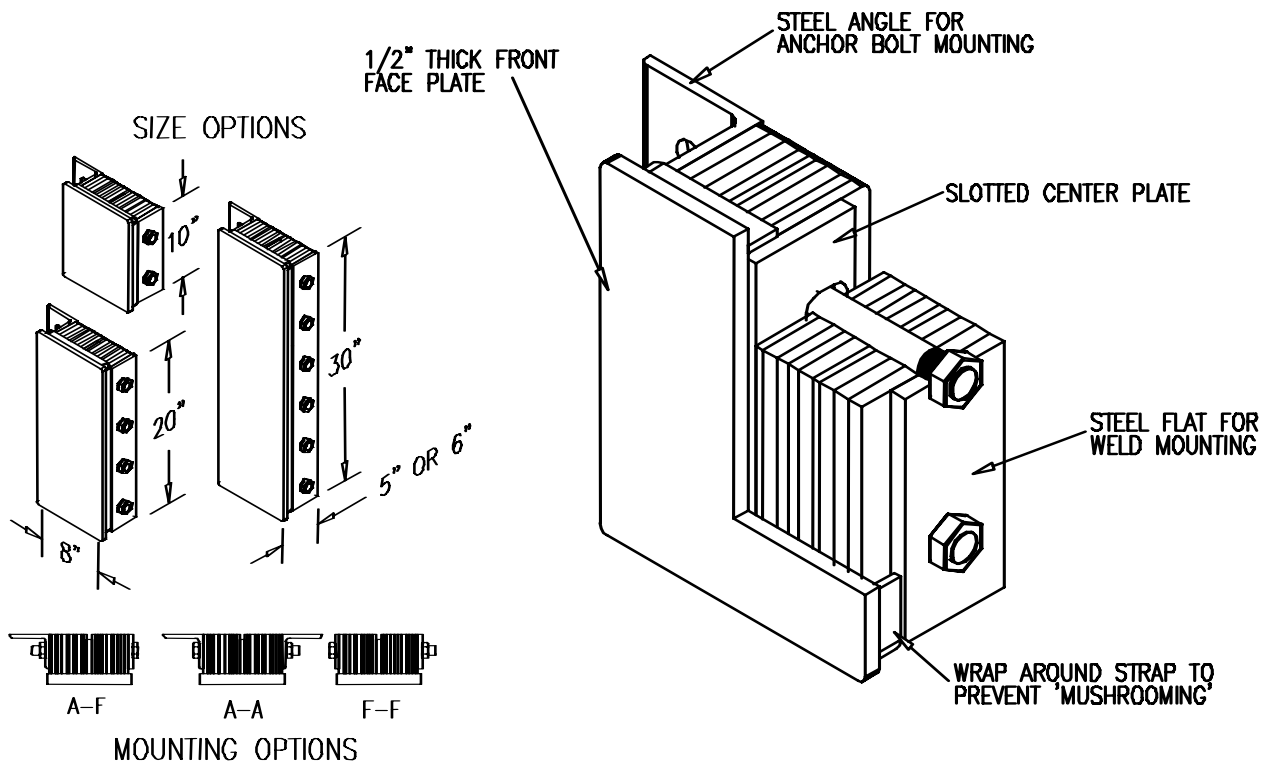


IMPACT™ SERIES STEEL FACE DOCK BUMPER

THE ULTIMATE IN BUILDING PROTECTION AND PERFORMANCE! THE NORDOCK STEEL WRAP AROUND STYLE BUMPER WITH ITS 1/2" THICK STEEL FLOATING FRONT FACE MAXIMIZES ABRASION RESISTANCE, ABSORBS IMPACT AND PROLONGS BUMPER LIFE.

THE FLAT REINFORCED STAMPED RUBBER SECTIONS ENSURE EVEN SUPPORT TO PREVENT DENTING. THE WRAP AROUND FRONT FACE KEEPS THE RUBBER IN PLACE, ELIMINATING A POTENTIAL 'MUSHROOMING' EFFECT. 3/4" ZINC PLATED STEEL ASSEMBLY BOLTS SANDWICH RUBBER SECTIONS BETWEEN HEAVY STEEL ANGLE OR FLAT PLATES.

THE NORDOCK IMPACT SERIES BUMPER IS A WISE INVESTMENT FOR COMPANIES THAT INSIST ON SUPERIOR BUILDING PROTECTION AND WITH A 10-YEAR WARRANTY THE IMPACT SERIES BUMPER IS THE MOST COST EFFECTIVE SOLUTION AVAILABLE.



NORDOCK INC.

Website: Nordockinc.com ~ Email: Sales@Nordockinc.com ~ Toll free: 866-885-4276

Nordock Inc. reserves the right to make changes to specifications without notice or obligation. Nordock products are covered by various U.S./Canadian and foreign patents or pending applications.