



AN INTEGRATED WAREHOUSE SOLUTIONS BRAND

405 LAKE ROAD, UNIT 2
 BOWMANVILLE, ON L1C 4P8
 T: 905-697-4276 F: 905-697-6422
 www.nordockinc.com

TLH DOCK LEVELER TRANSMITTAL

2023

DATE:

EMAIL:

SALES PERSON:

QUOTED BY:

PHONE:

FAX:

BILL TO:

SHIP TO: SAME AS BILLING ADDRESS

END USER:

P.O. #:

REQUESTED SHIP DATE:

SHIP VIA:

WEIGHT:

PPD

COL

3RD

MODEL: TLH TLHR QUANTITY: _____

LIST PRICE

DOCK LEVELER SIZE: 6 X 10 7 X 10 (10' LONG UNITS HAVE 40" OF LIP EXTENSION)
 6 X 8 7 X 8 (8' LONG UNITS HAVE 20" OF LIP EXTENSION)

CAPACITY: 30K 40K 50K 60K 80K

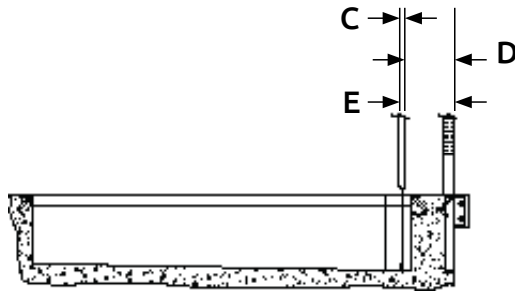
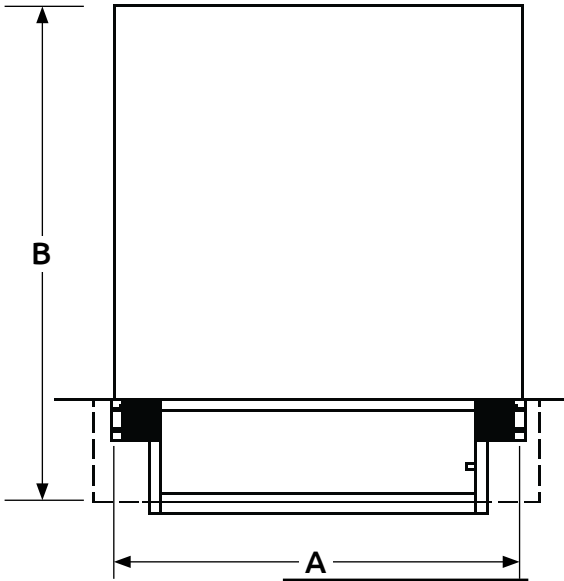
OPTIONS: BUMPER-TO-BUMPER™ PIT SEAL BRUSH WEATHERSEALS (WITH FACTORY WELD-ON CHANNELS)
 STAINLESS STEEL REAR HINGE SPRAY ZINC FINISH NEMA 4 CONTROL REMOTE POWER UNIT
 CURB ANGLE KIT FOR 10' LONG UNITS OTHER: _____

BUMPERS (2/DOCK): AF-420-11 LAMINATED BUMPERS* AF-620-11 LAMINATED BUMPERS AFS-520-11 STEEL FACE
 *Standard NONE EXTENSION: _____" RISER: _____" OTHER: _____

VOLTAGE: SINGLE PHASE THREE PHASE 120V 208V 240V 480V 600V OTHER: _____

SITE DIMENSIONS:

A. DOOR WIDTH: _____" B. DOOR HEIGHT: _____"
 C. DOOR PANEL THICKNESS: _____" D. WALL THICKNESS: _____"
 E. FROM OUTER WALL TO INSIDE REAR OF DOOR PANEL: _____"
 OPEN SWINGING TRAILER DOORS WITHIN LOADING DOCK FACILITY
 NO YES (REQUIRES PIT CUTOUTS. CONSULT FACTORY)



LIST PRICE	
SPECIAL REQUIREMENTS	
TOTAL LIST EACH	
DISCOUNT (%)	
TOTAL DISCOUNT	
TOTAL NET EACH	
X QUANTITY	
SUB-TOTAL	
FREIGHT	
TAX AMOUNT (\$)	
TOTAL	

SPECIAL REQUIREMENTS:

APPLICATION SURVEY	
DOCK HEIGHT:	APPROACH GRADE:
HIGHEST TRUCK BED:	LOWEST TRUCK BED:
HEAVIEST GROSS LOAD:	TRUCKS PER DAY:
3-WHEEL LIFT TRUCKS:	YES NO
EXISTING VEHICLE RESTRAINT:	YES NO
TOTAL	DISTANCE FROM GRADE TO TOP OF BACKPLATE: _____