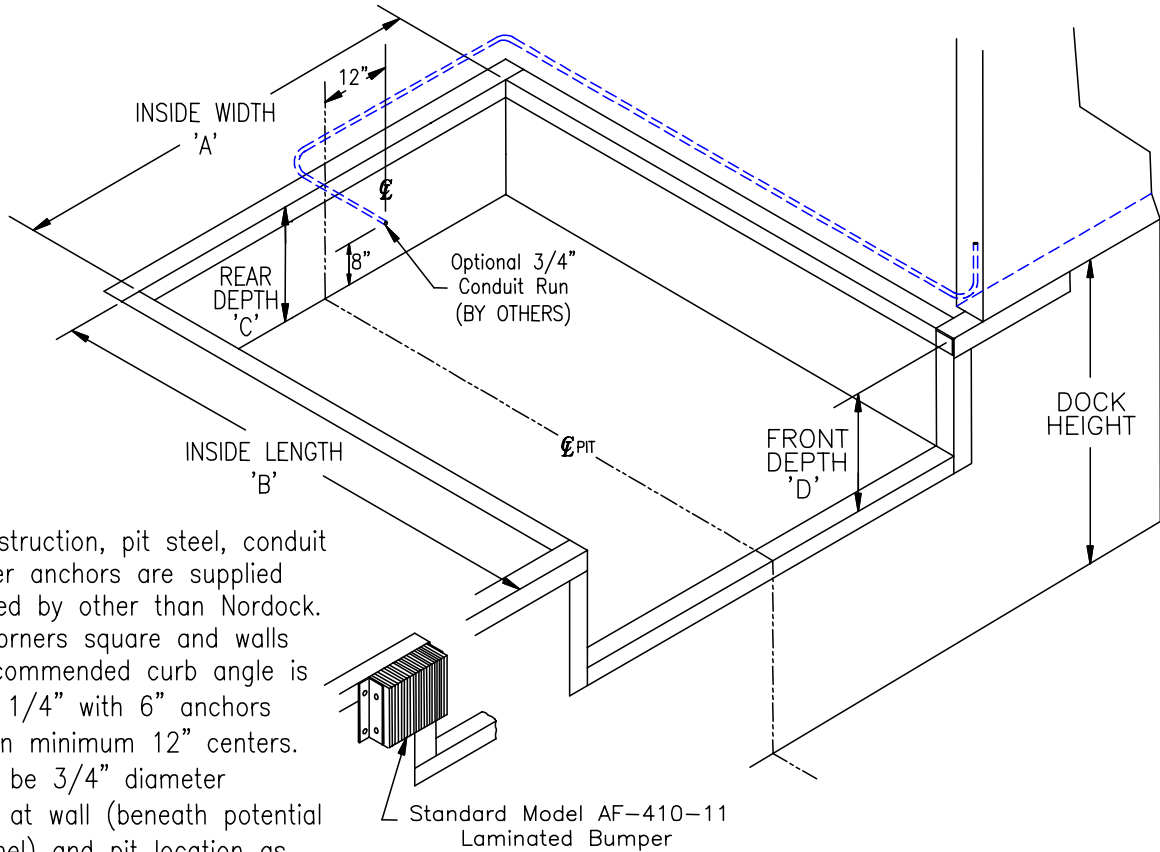
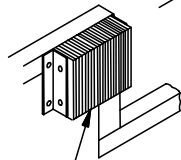


INDUSTRIAL™ - NM Series Dockleveler STANDARD 23" Pit Construction Details



Notes:

All pit construction, pit steel, conduit and bumper anchors are supplied and installed by other than Nordock. Keep all corners square and walls plumb. Recommended curb angle is 3" x 3" x 1/4" with 6" anchors attached on minimum 12" centers. Conduit to be 3/4" diameter terminated at wall (beneath potential control panel) and pit location as shown. It is important to maintain a minimum of 8" thick well vibrated concrete behind all pit steel and down dock face.



Standard Model AF-410-11 Laminated Bumper

| Nominal Size | 6' x 6' | 6.5' x 6' | 7' x 6' | 6' x 8' | 6.5' x 8' | 7' x 8' | 6' x 10' | 6.5' x 10' | 7' x 10' |
|-----------------------|-----------|-----------|-----------|-----------|-----------|-----------|-----------|------------|-----------|
| Pit Width 'A' | 74" | 80" | 85" | 74" | 80" | 85" | 74" | 80" | 85" |
| Pit Length 'B' | 63" | 63" | 63" | 87" | 87" | 87" | 111" | 111" | 111" |
| * Rear Pit Depth 'C' | * 23-1/2" | * 23-1/2" | * 23-1/2" | * 23-1/2" | * 23-1/2" | * 23-1/2" | * 23-1/2" | * 23-1/2" | * 23-1/2" |
| * Front Pit Depth 'D' | * 24" | * 24" | * 24" | * 24" | * 24" | * 24" | * 24" | * 24" | * 24" |

* Note: Dimensions are for 23" Dockleveler depth. For 19", Refer to form 49-0121.

Model Number Composition: **NM**-(Nominal Size)-(Capacity) (i.e. NM-78-35)

| | | | | | | | | |
|----------------|-----|-----|-----|---------|-----|--------------|--|-----------|
| Model: | | | | | | | | Quantity: |
| 25k | 30k | 35k | 40k | 45k | 50k | Other: _____ | | |
| Lip: | 16" | 18" | 20" | O Taper | | | | |
| Job Reference: | | | | | | | | |
| Location: | | | | | | | | |

| CUSTOMER APPROVAL | |
|--|--|
| Customer _____ | |
| Approved <input type="checkbox"/> | |
| Approved as noted <input type="checkbox"/> | |
| Signature _____ | |
| Position _____ | |
| Date _____ | |