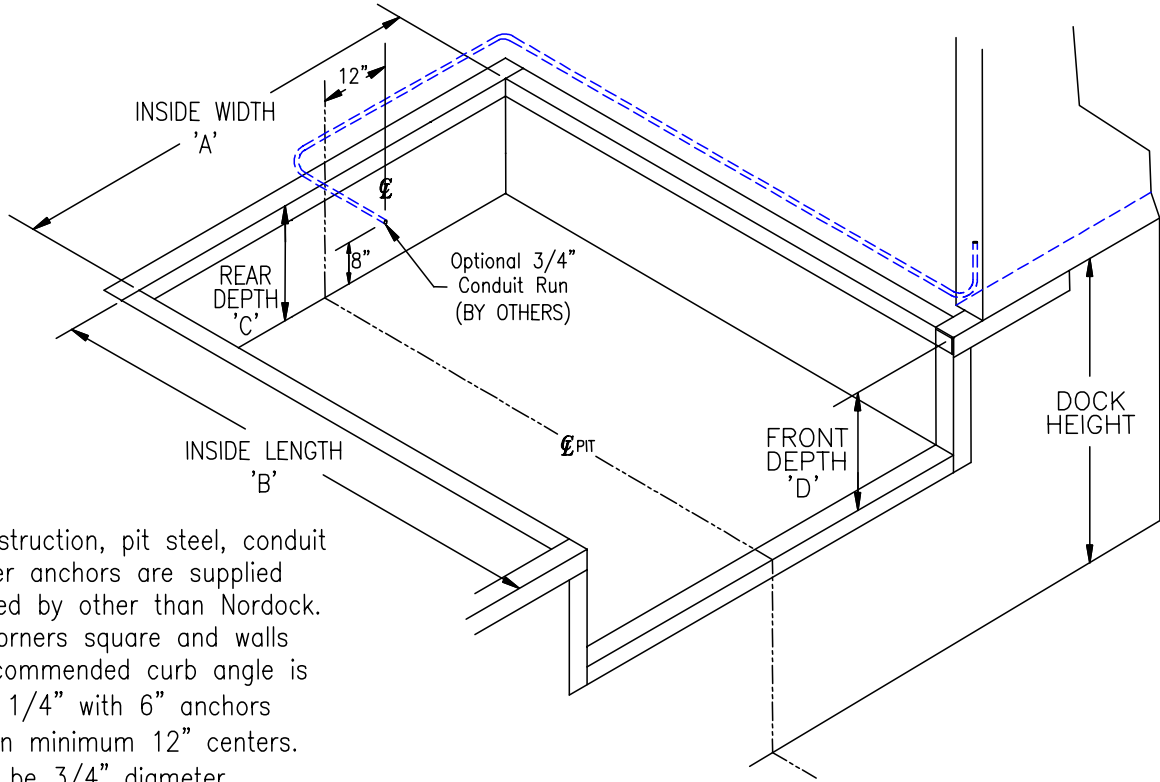


## CONSTRUCTOR™ - CM Series Dockleveler STANDARD 19" Pit Construction Details



**Notes:**

All pit construction, pit steel, conduit and bumper anchors are supplied and installed by other than Nordock. Keep all corners square and walls plumb. Recommended curb angle is 3" x 3" x 1/4" with 6" anchors attached on minimum 12" centers. Conduit to be 3/4" diameter terminated at wall (beneath potential control panel) and pit location as shown. It is important to maintain a minimum of 8" thick well vibrated concrete behind all pit steel and down dock face.

| Nominal Size        | 6' x 6' | 7' x 6' | 6' x 8' | 7' x 8' |
|---------------------|---------|---------|---------|---------|
| Pit Width 'A'       | 74"     | 85"     | 74"     | 85"     |
| Pit Length 'B'      | 63"     | 63"     | 87"     | 87"     |
| Rear Pit Depth 'C'  | 19-1/2" | 19-1/2" | 19-1/2" | 19-1/2" |
| Front Pit Depth 'D' | 20"     | 20"     | 20"     | 20"     |

Model Number Composition: **CM-(Nominal Size)-(Capacity)** (i.e. **CM-78-35**)

|  |           |
|--|-----------|
| Model:                                     | Quantity: |
| 25k   30k   35k   40k   45k   Other: _____ |           |
| Lip:   16"   18"   Taper                   |           |
| Job Reference:                             |           |
| Location:                                  |           |

| CUSTOMER APPROVAL                          |  |
|--|--|
| Customer _____                             |  |
| Approved <input type="checkbox"/>          |  |
| Approved as noted <input type="checkbox"/> |  |
| Signature _____                            |  |
| Position _____                             |  |
| Date _____                                 |  |