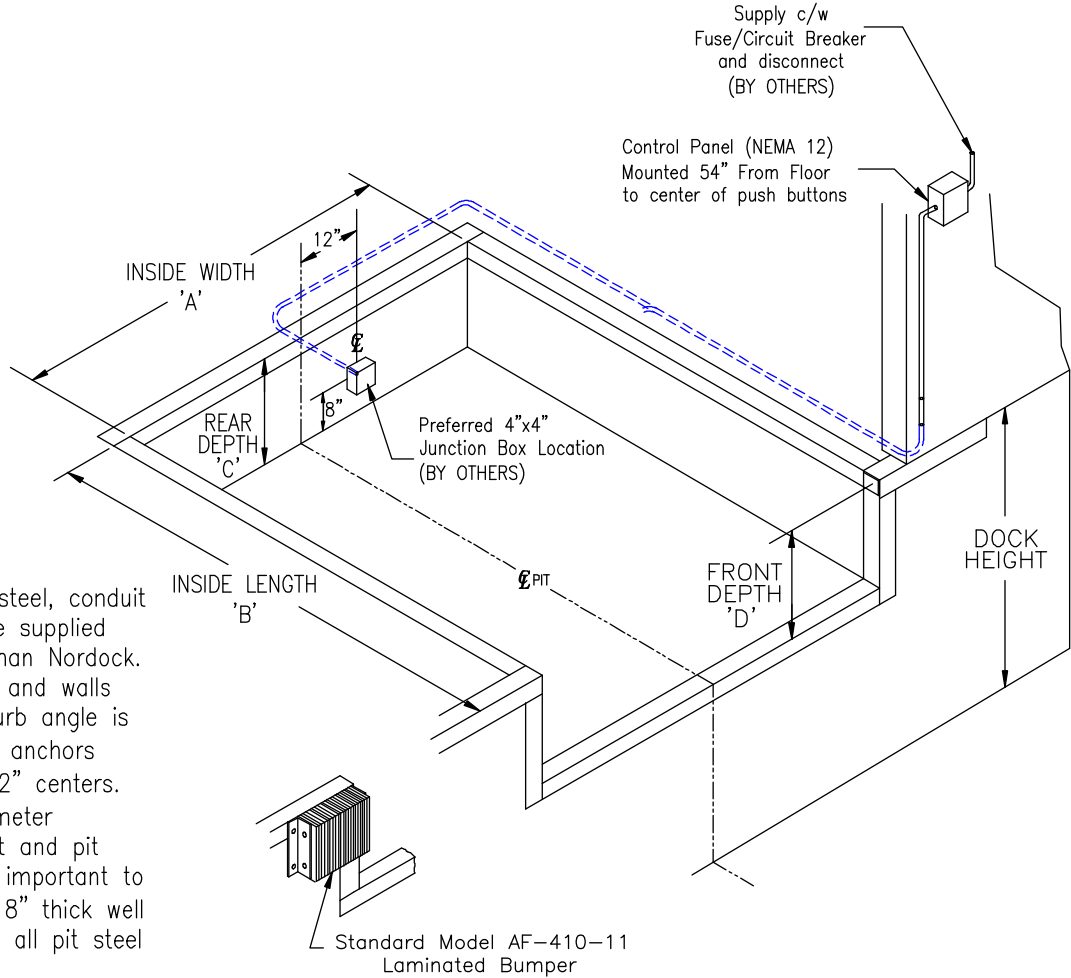


Super Duty™ - SD Series Dockleveler STANDARD 19" Pit Construction Details



Notes:

All pit construction, pit steel, conduit and bumper anchors are supplied and installed by other than Nordock. Keep all corners square and walls plumb. Recommended curb angle is 4" x 4" x 3/8" with 6" anchors attached on minimum 12" centers. Conduit to be 3/4" diameter terminated at power unit and pit location as shown. It is important to maintain a minimum of 8" thick well vibrated concrete behind all pit steel and down dock face.

Nominal Size	6' x 6'	6.5' x 6'	7' x 6'	6' x 8'	6.5' x 8'	7' x 8'	6' x 10'	6.5' x 10'	7' x 10'
Pit Width 'A'	74"	80"	85"	74"	80"	85"	74"	80"	85"
Pit Length 'B'	63"	63"	63"	87"	87"	87"	111"	111"	111"
* Rear Pit Depth 'C'	* 19-1/2"	* 19-1/2"	* 19-1/2"	* 19-1/2"	* 19-1/2"	* 19-1/2"	* 19-1/2"	* 19-1/2"	* 19-1/2"
* Front Pit Depth 'D'	* 20"	* 20"	* 20"	* 20"	* 20"	* 20"	* 20"	* 20"	* 20"

* Note: Dimensions are for 19" Dockleveler depth. For 23", Refer to form 49-0202.

Model Number Composition: **SD**-(Nominal Size)-(Capacity) (i.e. SD-78-60)

Model:	Quantity:
60k 80k 120k 160k Other: _____	
Lip: 16" 18" 20" O Taper	
Job Reference:	
Location:	

CUSTOMER APPROVAL	
Customer _____	
Approved _____	<input type="checkbox"/>
Approved as noted _____	<input type="checkbox"/>
Signature _____	
Position _____	
Date _____	