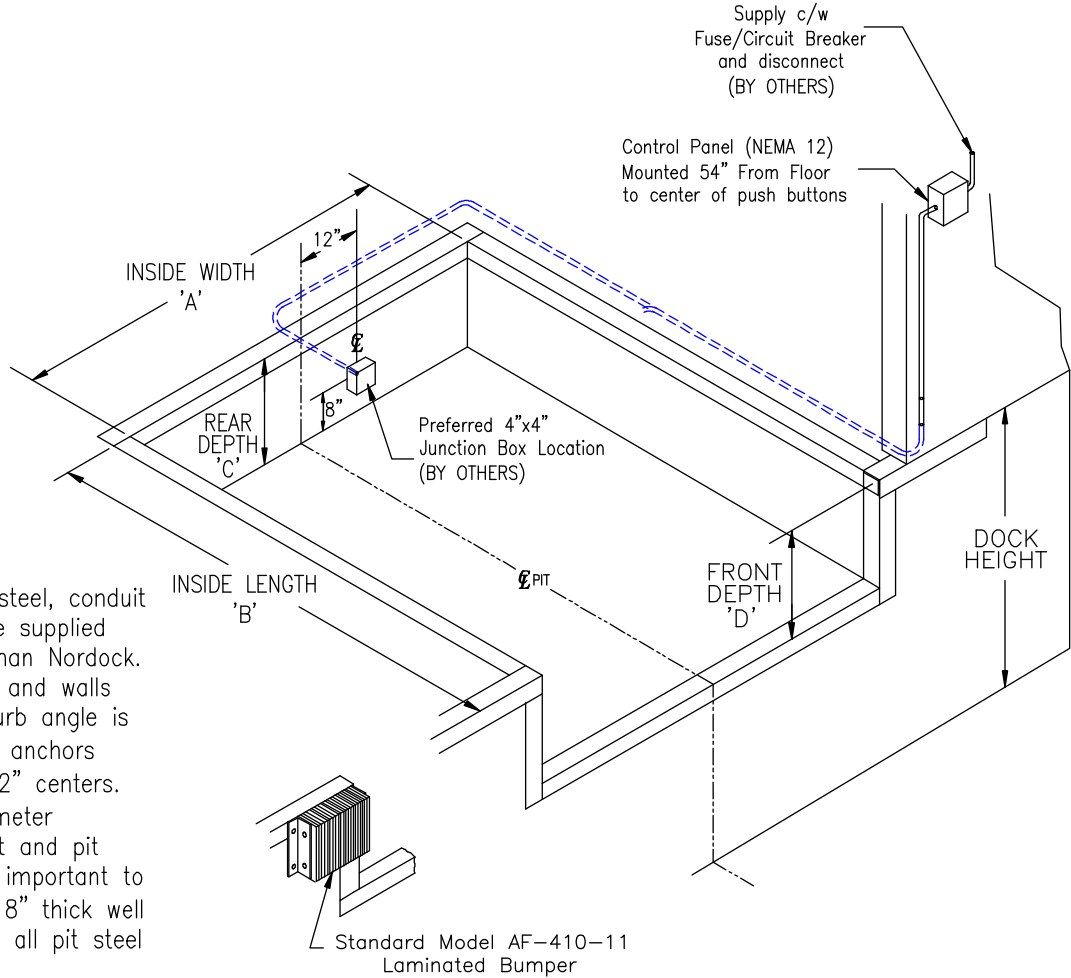


## Super Duty™ - SD Series Dockleveler STANDARD 23" Pit Construction Details



### Notes:

All pit construction, pit steel, conduit and bumper anchors are supplied and installed by other than Nordock. Keep all corners square and walls plumb. Recommended curb angle is 4" x 4" x 3/8" with 6" anchors attached on minimum 12" centers. Conduit to be 3/4" diameter terminated at power unit and pit location as shown. It is important to maintain a minimum of 8" thick well vibrated concrete behind all pit steel and down dock face.

Nominal Size	6' x 6'	6.5' x 6'	7' x 6'	6' x 8'	6.5' x 8'	7' x 8'	6' x 10'	6.5' x 10'	7' x 10'
Pit Width 'A'	74"	80"	85"	74"	80"	85"	74"	80"	85"
Pit Length 'B'	63"	63"	63"	87"	87"	87"	111"	111"	111"
* Rear Pit Depth 'C'	* 23-1/2"	* 23-1/2"	* 23-1/2"	* 23-1/2"	* 23-1/2"	* 23-1/2"	* 23-1/2"	* 23-1/2"	* 23-1/2"
* Front Pit Depth 'D'	* 24"	* 24"	* 24"	* 24"	* 24"	* 24"	* 24"	* 24"	* 24"

\* Note: Dimensions are for 23" Dockleveler depth. For 19", Refer to form 49-0201.

Model Number Composition: SD-(Nominal Size)-(Capacity) (i.e. SD-78-60)

Model:	Quantity:
60k    80k    120k    160k    Other: _____	
Lip:    16"    18"    20"    Taper	
Job Reference:	
Location:	

CUSTOMER APPROVAL	
Customer _____	
Approved _____	<input type="checkbox"/>
Approved as noted _____	<input type="checkbox"/>
Signature _____	
Position _____	
Date _____	