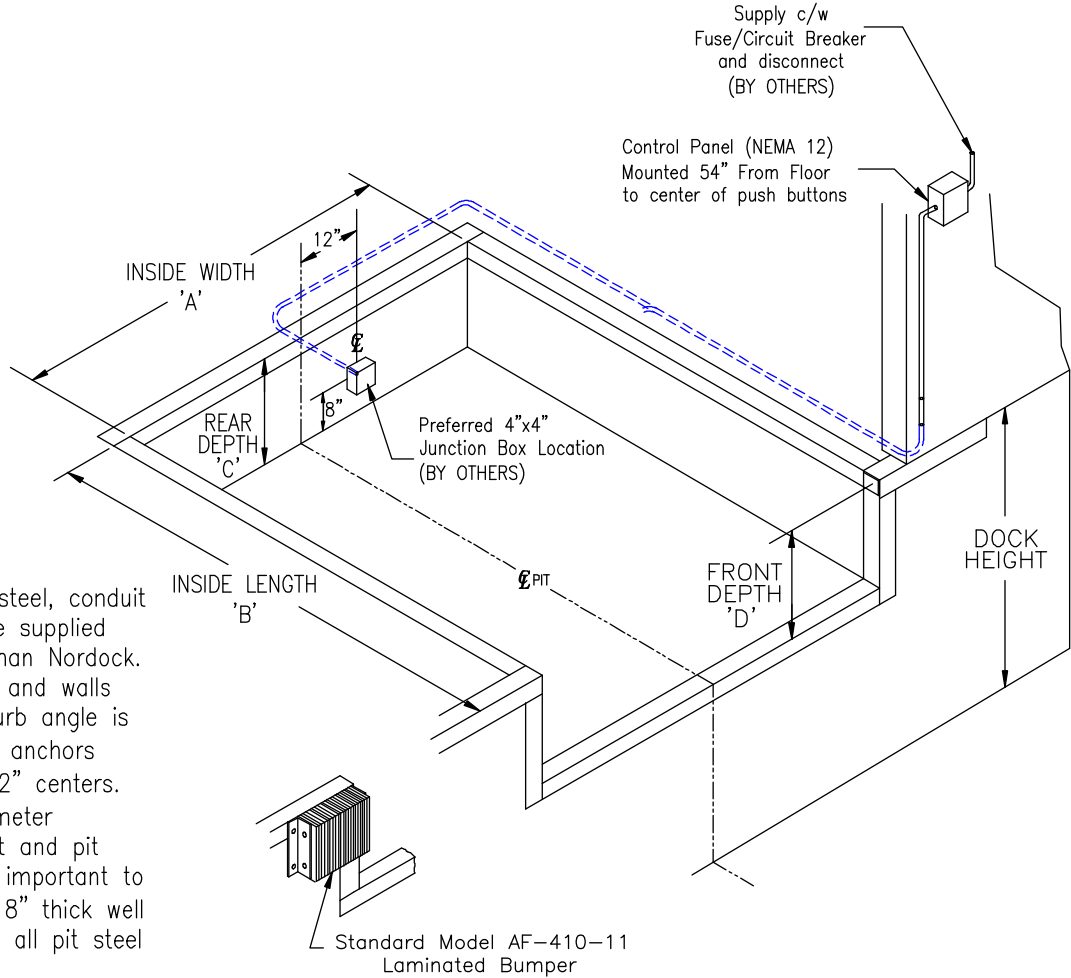


## Super Duty™ - SD Series Dockleveler STANDARD 23" Pit Construction Details



**Notes:**

All pit construction, pit steel, conduit and bumper anchors are supplied and installed by other than Nordock. Keep all corners square and walls plumb. Recommended curb angle is 4" x 4" x 3/8" with 6" anchors attached on minimum 12" centers. Conduit to be 3/4" diameter terminated at power unit and pit location as shown. It is important to maintain a minimum of 8" thick well vibrated concrete behind all pit steel and down dock face.

| Nominal Size          | 6' x 6'   | 6.5' x 6' | 7' x 6'   | 6' x 8'   | 6.5' x 8' | 7' x 8'   | 6' x 10'  | 6.5' x 10' | 7' x 10'  |
|-----------------------|-----------|-----------|-----------|-----------|-----------|-----------|-----------|------------|-----------|
| Pit Width 'A'         | 74"       | 80"       | 85"       | 74"       | 80"       | 85"       | 74"       | 80"        | 85"       |
| Pit Length 'B'        | 63"       | 63"       | 63"       | 87"       | 87"       | 87"       | 111"      | 111"       | 111"      |
| * Rear Pit Depth 'C'  | * 23-1/2" | * 23-1/2" | * 23-1/2" | * 23-1/2" | * 23-1/2" | * 23-1/2" | * 23-1/2" | * 23-1/2"  | * 23-1/2" |
| * Front Pit Depth 'D' | * 24"     | * 24"     | * 24"     | * 24"     | * 24"     | * 24"     | * 24"     | * 24"      | * 24"     |

\* Note: Dimensions are for 23" Dockleveler depth. For 19", Refer to form 49-0201.

Model Number Composition: **SD**-(Nominal Size)-(Capacity) (i.e. SD-78-60)

|  |           |
|--|-----------|
| Model:                                     | Quantity: |
| 60k    80k    120k    160k    Other: _____ |           |
| Lip:    16"    18"    20"    O Taper       |           |
| Job Reference:                             |           |
| Location:                                  |           |

| CUSTOMER APPROVAL       |                          |
|-------------------------|--------------------------|
| Customer _____          |                          |
| Approved _____          | <input type="checkbox"/> |
| Approved as noted _____ | <input type="checkbox"/> |
| Signature _____         |                          |
| Position _____          |                          |
| Date _____              |                          |