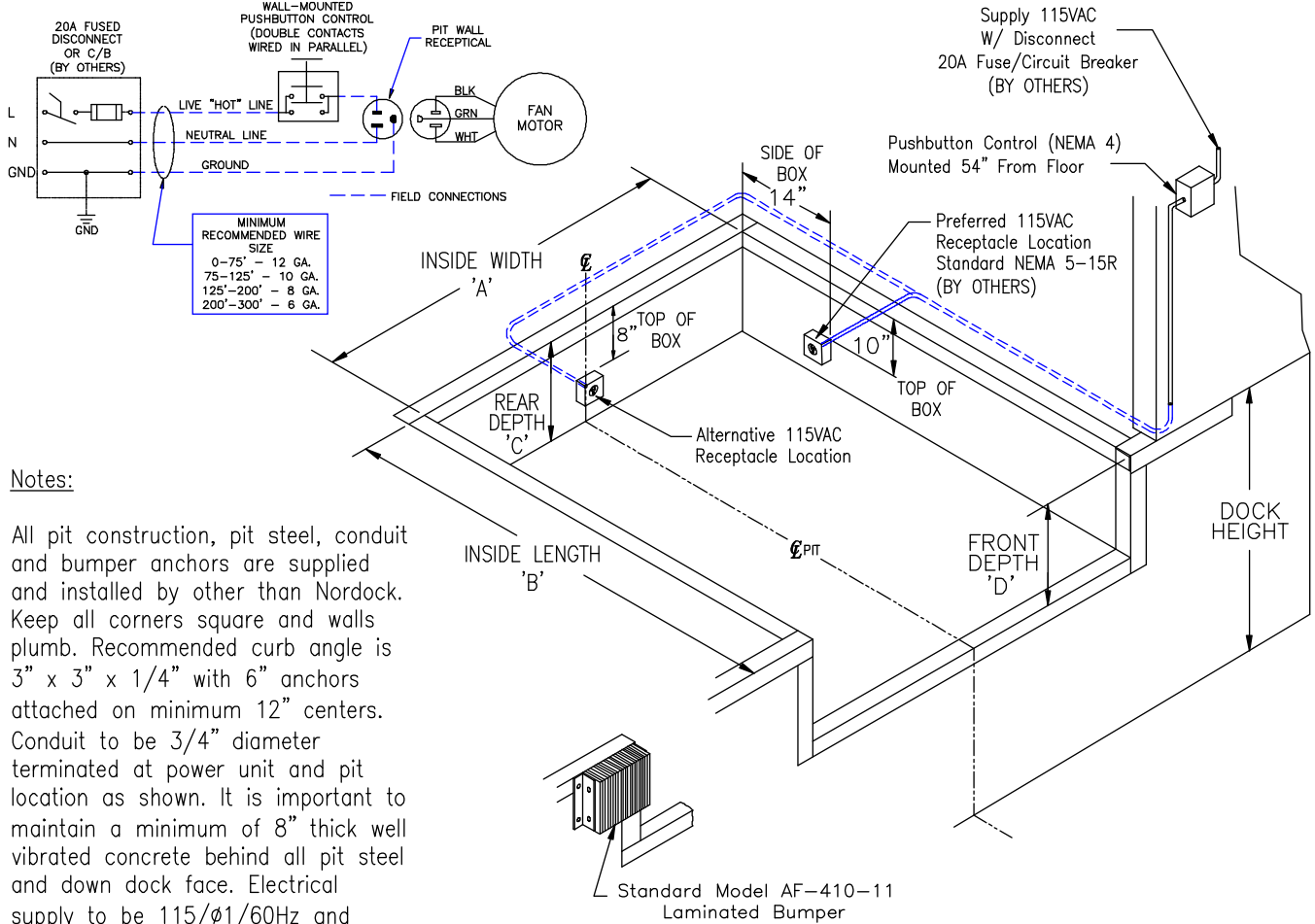


AIRDOCK® Super Duty- SA Series Dockleveler STANDARD 23" Pit Construction Details



Notes:

All pit construction, pit steel, conduit and bumper anchors are supplied and installed by other than Nordock. Keep all corners square and walls plumb. Recommended curb angle is 3" x 3" x 1/4" with 6" anchors attached on minimum 12" centers. Conduit to be 3/4" diameter terminated at power unit and pit location as shown. It is important to maintain a minimum of 8" thick well vibrated concrete behind all pit steel and down dock face. Electrical supply to be 115/ø1/60Hz and wired as shown.

| Nominal Size | 6' x 6' | 6.5' x 6' | 7' x 6' | 6' x 8' | 6.5' x 8' | 7' x 8' | 6' x 10' | 6.5' x 10' | 7' x 10' |
|-----------------------|-----------|-----------|-----------|-----------|-----------|-----------|-----------|------------|-----------|
| Pit Width 'A' | 74" | 80" | 85" | 74" | 80" | 85" | 74" | 80" | 85" |
| Pit Length 'B' | 63" | 63" | 63" | 87" | 87" | 87" | 111" | 111" | 111" |
| * Rear Pit Depth 'C' | * 23-1/2" | * 23-1/2" | * 23-1/2" | * 23-1/2" | * 23-1/2" | * 23-1/2" | * 23-1/2" | * 23-1/2" | * 23-1/2" |
| * Front Pit Depth 'D' | * 24" | * 24" | * 24" | * 24" | * 24" | * 24" | * 24" | * 24" | * 24" |

* Note: Dimensions are for 23" Dockleveler depth only.

Model Number Composition: SA-(Nominal Size)-(Capacity) (i.e. SA-78-60)

| | |
|--------------------------|--------------|
| Model: | Quantity: |
| 60k | Other: _____ |
| Lip: 16" 18" 20" O Taper | |
| Job Reference: | |
| Location: | |

| CUSTOMER APPROVAL | |
|-------------------------|--------------------------|
| Customer _____ | |
| Approved _____ | <input type="checkbox"/> |
| Approved as noted _____ | <input type="checkbox"/> |
| Signature _____ | |
| Position _____ | |
| Date _____ | |