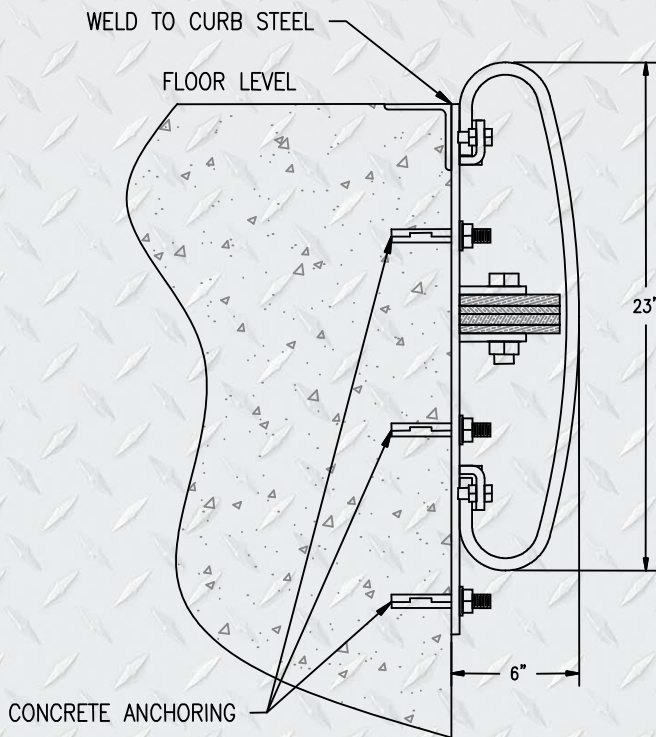


**Introducing:
The Best Bumper Made!**

IMPACT™ SERIES STEEL SPRING BUMPER

- Uses 2 – 4” Steel Spring Pads That Absorb Impact
- Allows Trailers To Ride Up and Down The Face With Minimal Friction
- Laminated Rubber Section Offers Additional Support For Trailer Impact
- 9/16” Tempered Steel Springs Mounted On 3/8” Steel Back Plate
- Steel Springs Easily Removed For Installation



4" X 23", 9/16"
TEMPERED STEEL
SPRING PADS

LAMINATED
RUBBER SECTION
FOR ADDED
PROTECTION

REMOVABLE
HARDWARE FOR
EASE OF
INSTALLATION

MOUNTING HOLES FOR
5/8" CONCRETE ANCHORS
(Not Included)



Dedicated People ~ Superior Products

Website: www.nordockinc.com ~ Email: Sales@nordockinc.com ~ Toll Free: 866-885-4276