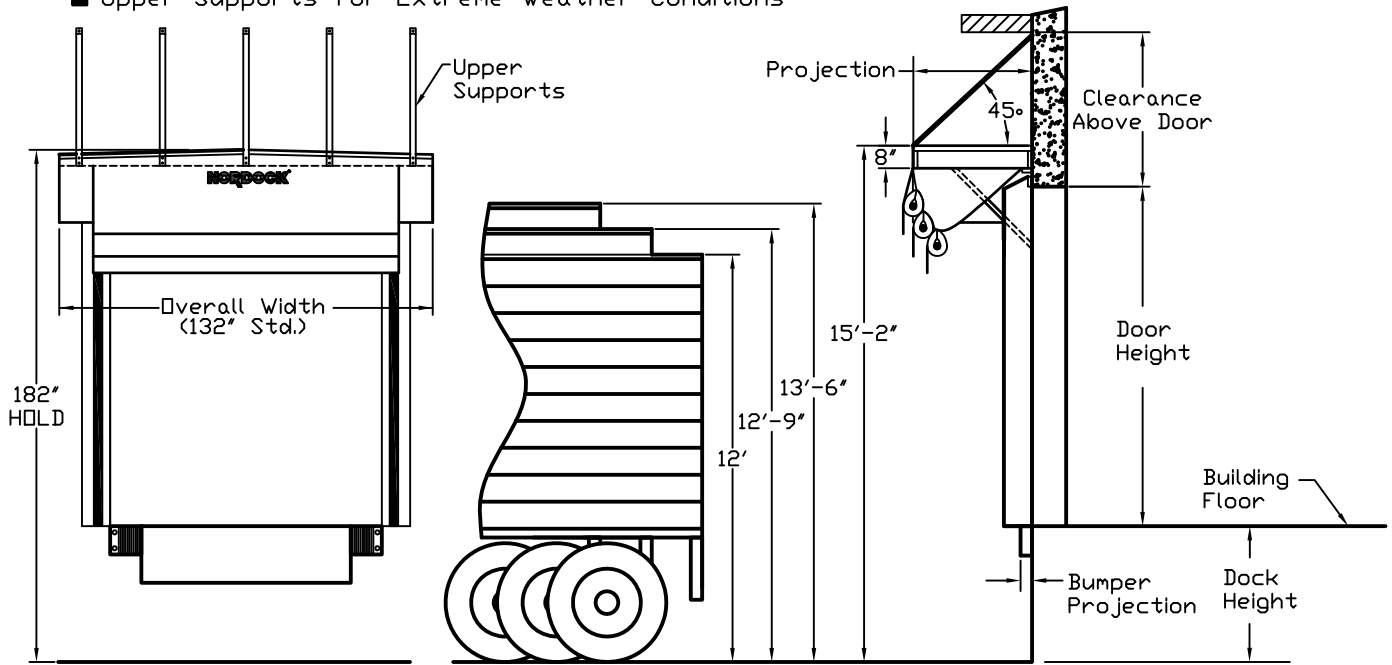


RAIN-STOP™ SERIES MODEL RS-9000 TRUCK & TRAILER TOP SEAL

NORDOCK®

FEATURE SUMMARY

- Extended Range Seals Top of Trailers 12' to 13' 6" High
- WT-90 WearTough Curtain Fabric With XT-1000 Wear Face
- Multiple Polyurethane Foam Wrapped Weighted Lobes
- Double Lock Stitched With High Strength Thread
- Pressure Treated Superior Grade Lumber
- Translucent Fiberglass Top Sheeting
- Galvanized Steel Trim, Side Supports & Mounting Hardware
- Upper Supports for Extreme Weather Conditions



SITE DIMENSIONS

DOOR WIDTH: _____ "

DOOR HEIGHT: _____ "

DOCK HEIGHT: _____ "

BUMPER PROJECTION: _____ "

APPROACH GRADE: _____ % SLOPE

LEVEL DECLINE INCLINE

GRADE WALL EXTENSION: _____ "

BUILDING WALL SETBACK: _____ "

DOOR SEAL DIMENSIONS: TOP PROJECTION _____ "

OVERALL HT. _____ " OVERALL WIDTH _____ "

DISTANCE TO OBSTRUCTION ABOVE DOOR OPENING _____ "

TRAILER HEIGHT: LOWEST _____ " HIGHEST _____ "

ORDER INFORMATION

BILL TO: _____

SHIP TO: _____

ORDER DATE: _____ QUANTITY _____

COST: EACH _____ FRT. _____ TOTAL _____

PURCHASE ORDER NO. _____

RAIN-STOP SPECIFICATIONS/OPTIONS

MODEL RS9-2: TRUCKS 12'-9" TO 13'-6" HIGH
STD. PROJECTION 36" OTHER _____ "

MODEL RS9-3: TRUCKS 12' TO 13'-6" HIGH
STD. PROJECTION 42" OTHER _____ "

UNIT WIDTH: 132" OTHER _____ "

OPTIONS: STEEL FRAME

OTHER: _____

*NOTES:

UNIT PROJECTIONS ARE BASED ON A 10" PROJECTION SEAL. IF SEAL PROJECTS MORE AT THE TOP THAN INCREASE OVERALL PROJECTION OF THE RAINSTOP. FOR EXAMPLE, IF THE SEAL PROJECTS 16" AND AN RS9-3 IS CHOSEN YOU MUST ADD 6" TO THE 42" FOR A TOTAL PROJECTION OF 48". MOUNTING BRACKETS REQUIRE AN ADDITIONAL 6" IN UNIT WIDTH TO CLEAR OUTSIDE OF SEAL (IF SEAL IS MORE THAN 126" OVERALL WIDTH THE HEADER MUST BE WIDER). COMBINED HEADERS ARE ALSO AVAILABLE WITH MODEL DS & FF SHELTERS. THE MOUNTING HEIGHT MUST BE MAINTAINED AT 182" ABOVE GRADE. CONSULT FACTORY FOR ALTERNATIVE SUPPORT METHODS IF THERE IS INSUFFICIENT CLEARANCE ABOVE UNIT FOR THE SUPPORT BRACKETS.