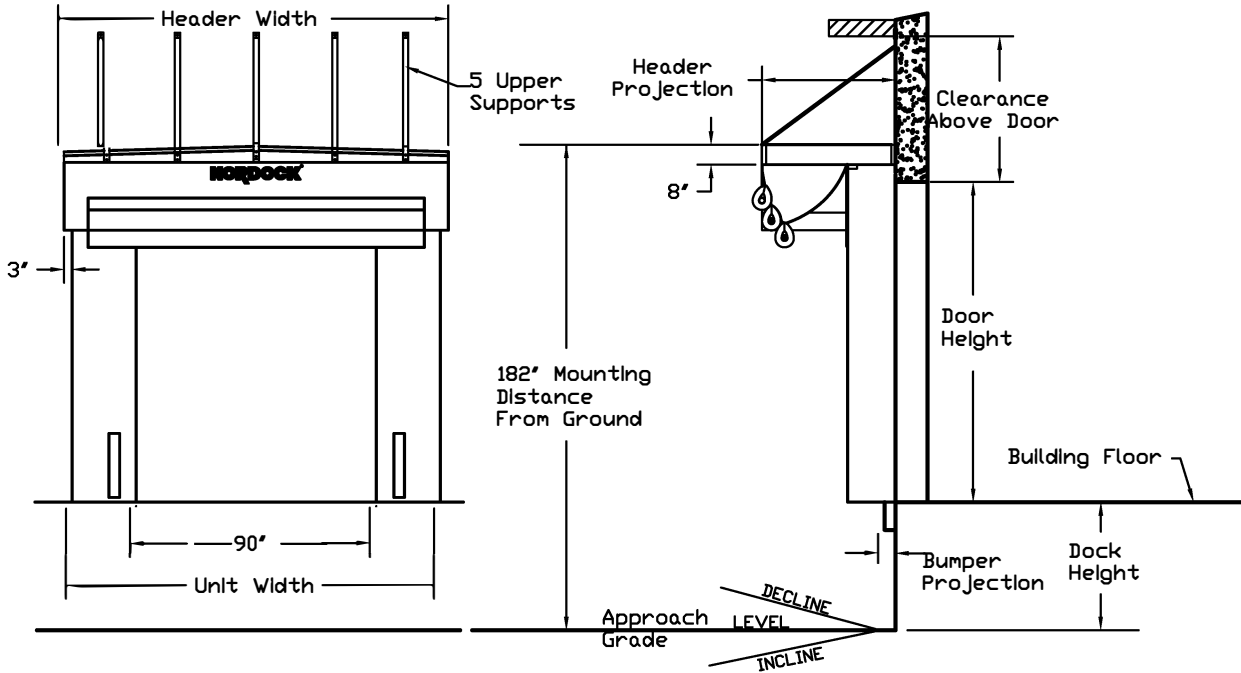
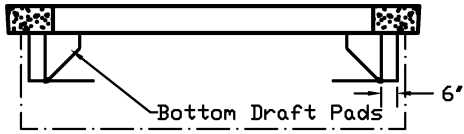


# MIDNIGHT™ SERIES FOAM SHELTER & TRAILER TOP SEAL

# NORDOCK

## FEATURE SUMMARY

- Superior WEARTOUGH® Cover Fabric
- Kiln Dried Superior Grade Pressure Treated Lumber
- Foam Wrapped Weighted Sealing Lobes
- Double Lock Stitched With High Strength Thread
- Yellow Guide Stripes for Driver Positioning
- Bottom Draft Pads & Upper Snow Load Supports
- Translucent Fiberglass Top Sheeting
- Upper Support Straps
- Galvanized Mounting & Support Hardware



### SITE DIMENSIONS

DOOR WIDTH: \_\_\_\_\_ "

DOOR HEIGHT: \_\_\_\_\_ "

DOCK HEIGHT: \_\_\_\_\_ "

BUMPER PROJECTION: \_\_\_\_\_ "

APPROACH GRADE: \_\_\_\_\_ % SLOPE

LEVEL    DECLINE    INCLINE

GRADE WALL EXTENSION: \_\_\_\_\_ "

BUILDING WALL SETBACK: \_\_\_\_\_ "

CLEARANCE ABOVE DOOR: \_\_\_\_\_ "

### ORDER INFORMATION

BILL TO: \_\_\_\_\_

SHIP TO: \_\_\_\_\_

ORDER DATE: \_\_\_\_\_ QUANTITY \_\_\_\_\_

COST EACH: \_\_\_\_\_ TOTAL COST \_\_\_\_\_

FREIGHT COST: \_\_\_\_\_

PURCHASE ORDER NO. \_\_\_\_\_

NOTES: \_\_\_\_\_

### MODEL FF-RS9 SHELTER SPECIFICATIONS

CURTAIN FABRIC: 40 OZ.    50 OZ.    \*XT-1000

UNIT WIDTH: 132"    OTHER \_\_\_\_\_ "

UNIT HEIGHT: 134"    OTHER \_\_\_\_\_ "

SIDE CURTAIN: 21"    OTHER \_\_\_\_\_ "

TRAILER DOOR GAP SEAL

SIDE PROJECTION: TOP: \_\_\_\_\_ "    BOTTOM \_\_\_\_\_ "

HEAD CURTAIN: 30" DROP    OTHER \_\_\_\_\_ "

TOUGH-SPLIT™ GUSSETS

RAINSTOP MODEL:    RS9-2 TRUCKS 12'9" TO 13' 6" HIGH

                              RS9-3 TRUCKS 12' TO 13' 6" HIGH

                              RS9-4 TRUCKS 11'5" TO 13' 6" HIGH

HEADER PROJECT: 44"    50"    56"    OTHER \_\_\_\_\_ "

HEADER WIDTH: 138"    OTHER \_\_\_\_\_ "

NOTES: HEADER PROJECTION IS 26" MORE THAN THE TOP OF THE SIDE FRAME FOR RS9-2 UNITS AND 32" MORE FOR RS9-3 UNITS. MOUNTING BRACKETS REQUIRE HEADER TO BE AN ADDITIONAL 6" MORE THAN UNIT WIDTH. THE MOUNTING HEIGHT MUST BE MAINTAINED AT 182" ABOVE GRADE. CONSULT FACTORY FOR ALTERNATIVE SUPPORT METHODS IF THERE IS INSUFFICIENT CLEARANCE ABOVE UNIT FOR THE SUPPORT BRACKETS. HEADERS MORE THAN 50' HAVE 5 SUPPORTS. TRAILER DOOR GAP SEALS ARE DESIGNED FOR STANDARD 102" WIDE TRAILERS AND REQUIRES THE VERTICAL SIDE CURTAINS TO BE 14" IN FRONT OF DOCK BUMPERS WITH A 90° CLEAR OPENING WIDTH BETWEEN CURTAINS.

\*XT-1000. IS STANDARD FOR RAIN-STOP™ IMPACT AREAS