



405 LAKE ROAD, UNIT 2
 BOWMANVILLE, ONTARIO L1C 4P8
 PH: 905-697-4276 FAX: 905-697-6422
 www.nordockinc.com
 Dedicated People ~ Superior Products

SURFACE MOUNT TRANSMITTAL #49-0151-B

DATE:	S.O. #	SMD
SALES PERSON:	QUOTED BY:	
PHONE#:	FAX #:	

BILL TO:	SHIP TO:	END USER:
----------	----------	-----------

P.O. #	WEIGHT	REQUEST SHIP DATE:	SHIP VIA:	PPD	COLLECT	3RD PARTY
--------	--------	--------------------	-----------	-----	---------	-----------

SMD (SMD-[nominal width 6]-[capacity], e.g. SMD-66-30)

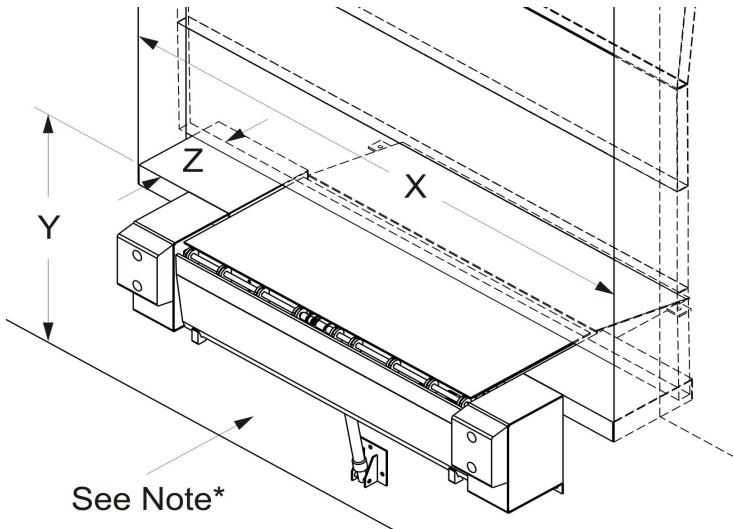
PRICE

MODEL SPECIFICATION: _____ QUANTITY: _____

DECK WIDTH: 72" 83" (Note: For 83" wide lips, the standard leading edge is tapered to 78")

CAPACITY: 30K 40K 50K

LIP: 18" (STANDARD; 12" projection past 4" bumpers) 20" (OPTIONAL)



DOOR WIDTH (X): _____

Note: If no door, consult factory

DOCK HEIGHT + RAMP HEIGHT (Y): _____

Distance from top of stored deck to grade must be at least 45-1/2" (e.g. 41" dock height with min. ramp height of 4-1/2")

DOOR SETBACK (Z): _____

Distance from dock face to interior edge of door bottom seal. 18" max. or custom ramp/ risers req'd

Note* Vertical poured concrete dock face shown. If other, composition detail req'd. Consult factory for custom build-outs and steel dock face plate options for cylinder mount and bumper boxes.

Field welding required for all installations

BUMPERS STYLE: STANDARD (1013 MOLDED C/W BOXES)
 OTHER (PLEASE SPECIFY) _____

POWER UNIT LOCATION: INTERNAL REMOTE MOUNTED (OPTIONAL)

STEEL CURB EMBED: YES NO (Consult Factory)

POURED CONCRETE DOCK FACE: YES NO (Consult Factory)

VEHICLE RESTRAINT: YES (Consult factory) NO

APPROACH RAMP: RISE 4-1/2" (STANDARD) OTHER (CONSULT FACTORY) _____

LENGTH 24" (STANDARD) OTHER (CONSULT FACTORY) _____

BUILDING WALL SETBACK: _____ (Consult factory) CANTILEVER: _____ (Consult factory)

APPROACH GRADE: _____ (Consult factory if 2% or greater)

REDUCED VOLTAGE PANEL: INTEGRATED PANEL: E-STOP:

POWER REQUIREMENT: SINGLE PHASE 115V 208V 230V
 THREE PHASE 208V 230V 460V 600V

LIST EACH	
-----------	--

SPECIAL REQUIREMENTS:	SPECIAL REQ LIST PRICE	SPECIAL REQ LIST	
		TOTAL LIST EACH	
		DISCOUNT	
		TOTAL NET EACH	
		X QTY	
		TOTAL	
		FREIGHT	
		TAX	
	TOTAL		