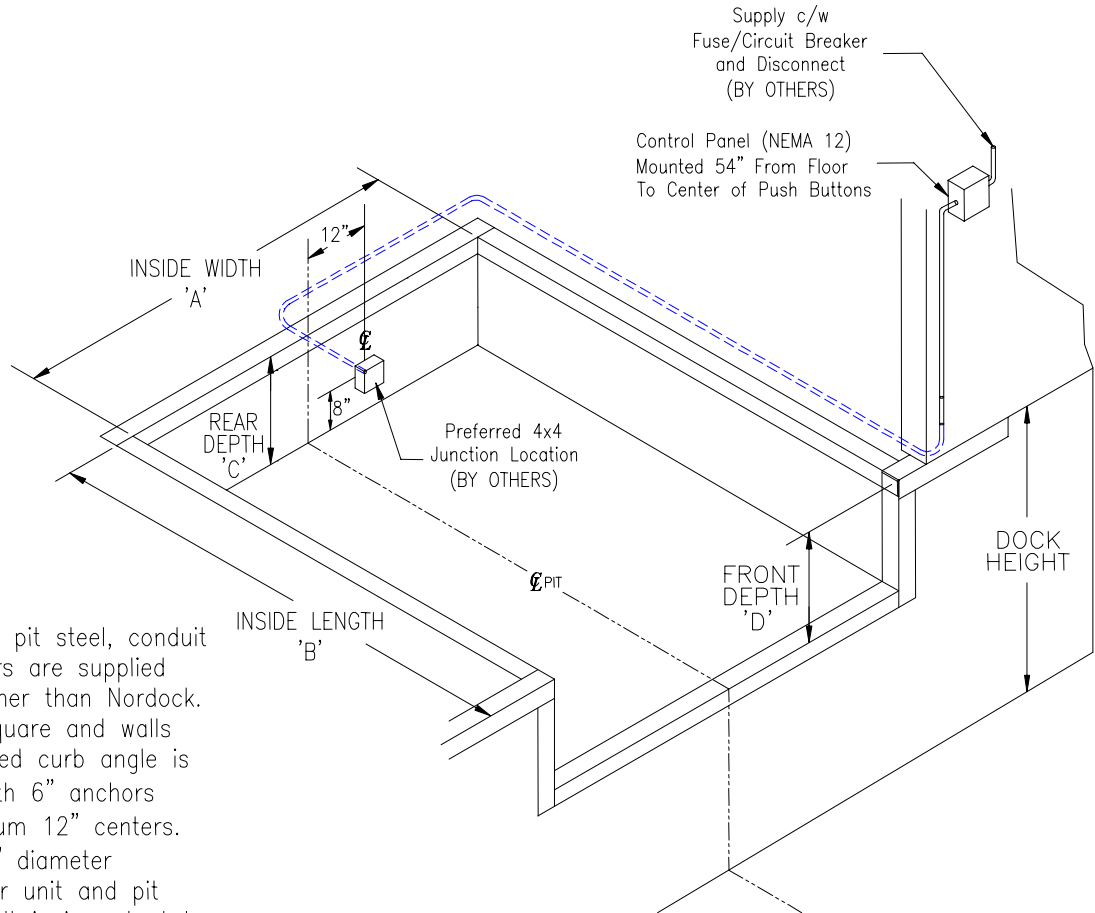


## CONSTRUCTOR™ - CH Series Dockleveler STANDARD 19" Pit Construction Details



**Notes:**

All pit construction, pit steel, conduit and bumper anchors are supplied and installed by other than Nordock. Keep all corners square and walls plumb. Recommended curb angle is 3" x 3" x 1/4" with 6" anchors attached on minimum 12" centers. Conduit to be 3/4" diameter terminated at power unit and pit location as shown. It is important to maintain a minimum of 8" thick well vibrated concrete behind all pit steel and down dock face.

Nominal Size	6' x 6'	7' x 6'	6' x 8'	7' x 8'
Pit Width 'A'	74"	85"	74"	85"
Pit Length 'B'	63"	63"	87"	87"
Rear Pit Depth 'C'	19-1/2"	19-1/2"	19-1/2"	19-1/2"
Front Pit Depth 'D'	20"	20"	20"	20"

Model Number Composition: **CH-(Nominal Size)-(Capacity)** (i.e. **CH-78-35**)

Model:	Quantity:
25k   30k   35k   40k   45k   Other: _____	
Lip:   16"   18"   Taper	
Job Reference:	
Location:	

CUSTOMER APPROVAL	
Customer _____	
Approved <input type="checkbox"/>	
Approved as noted <input type="checkbox"/>	
Signature _____	
Position _____	
Date _____	